



NAKAYAMA MINI SCREEN "Screen Kid"

PBS Series

PBS 750・900



Nakayama "Screen Kid" creates a wide range of screening applications.

FEATURES

- Light-weight mini screen enables easy move and quick start of operation.
- Easy wire mesh change with cotter/wedge method
- Easy operation
- Low noise and vibration levels

APPLICATIONS

- For screening construction/demolition concrete and asphalt
- For screening incinerated ashes for disposal
- For screening wood wastes, forage, fertilizers, etc.
- For screening aggregates in small-scale quarries and gravel pits
- For screening in golf courses, farms, beaches, parks, gardening, handling waste ceramics, etc.



NAKAYAMA IRON WORKS, LTD.

PBS Series

NAKAYAMA MINI SCREEN "Screen Kid"

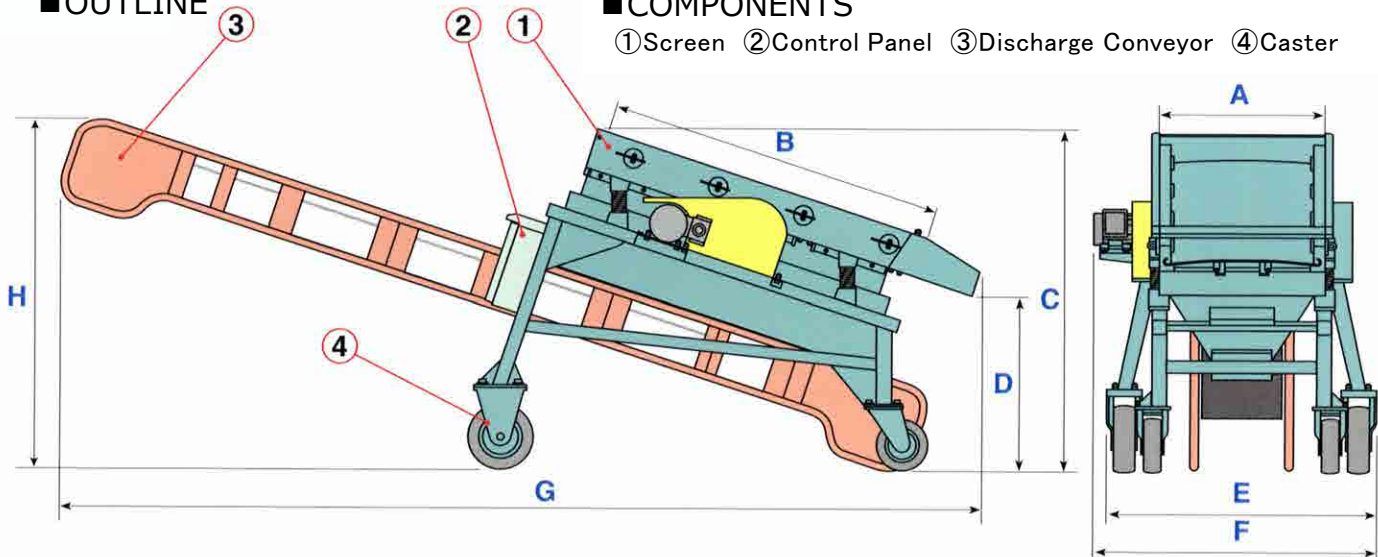
Based on our long experience with NSR series vibrating screens, we have developed a unique portable mini screen – Nakayama **Screen Kid**. This unique mini screen consists of screen body, motor, discharge conveyor and control panel. The screen unit is mounted on castered support with rubber tire, minimizing the operation noise and vibration in various screening applications.



■ OUTLINE

■ COMPONENTS

① Screen ② Control Panel ③ Discharge Conveyor ④ Caster



■ EXTERNAL DIMENSIONS

MODEL	A	B	C	D	E	F	G	H
PBS750	750	1500	1540	820	1200	1320	4130	1550
PBS900	900	1800	1780	940	1430	1510	4130	1590

■ Specifications and dimensions are subject to change without notice.

■ SPECIFICATIONS & CAPACITIES

MODEL	SCREEN		CONVEYOR	SCREEN SLOPE ANGLE	MAX. FEED SIZE (mm)	POWER REQUIRED (kW)	VOLTAGE (V)	CAPA CITIES (T/H)	WEIGHT (kg)
	SCREEN SIZE (W×L)	MESH SIZE (mm)	PIPE FRAME TYPE (mm)						
PBS750	750×1500	40~5	350×4000	18°	80	1.4	200	3~35	450
PBS900	900×1800	40~5	600×4000	18°	100	2.25	200	5~50	750

■ Specifications and dimensions are subject to change without notice.



(Note) Please refrain from using reprint of drawings and matters that are described in this document, without prior notice to our Company.

Safety Precautions: In order to use this product correctly and safely, please read the technical Manual carefully before use.



NAKAYAMA IRON WORKS, LTD.

www.ncjpn.com

HEAD OFFICE: Asahimachi, Takeo City, Saga Pref. 843-0001 JAPAN
TEL: (81) 954-22-4171 FAX: (81) 954-23-0691
E-MAIL: overseas@nakayamairon.co.jp

NAKAYAMA CRUSHING SERVICES(S) PLE
10 Anson Road, #24-03A International Plaza, Singapore 079903
Tel: (65)6222-3538 Fax: (65)6222-3538
E-mail Address: ncss@nakayamairon.co.jp



ver.1.02_20171016