

NAKAYAMA MINI SCREEN "Screen Kid"

# PBS / NES Series

PBS750 · 900 / NES750 · 900

**Nakayama "Screen Kid" creates a wide range of screening applications.**



## FEATURES

- Light-weight mini screen enables easy move and quick start of operation.
- Easy wire mesh change with cotter/wedge method
- Easy operation
- Low noise and vibration levels

## APPLICATIONS

- For screening construction/demolition concrete and asphalt
- For screening incinerated ashes for disposal
- For screening wood wastes, forage, fertilizers, etc.
- For screening aggregates in small-scale quarries and gravel pits
- For screening in golf courses, farms, beaches, parks, gardening, handling waste ceramics, etc.



PHOTO : PBS900

 **Nakayama**

# NAKAYAMA MINI SCREEN "Screen Kid" PBS / NES Series

Screen Kid

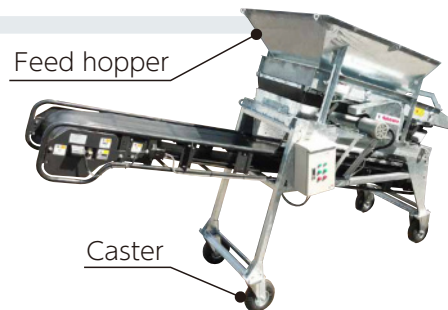
## Nakayama "Screen Kid" creates a wide range of screening applications.

Based on our long experience with NSR series vibrating screens, we have developed a unique portable mini screen – Nakayama Screen Kid.

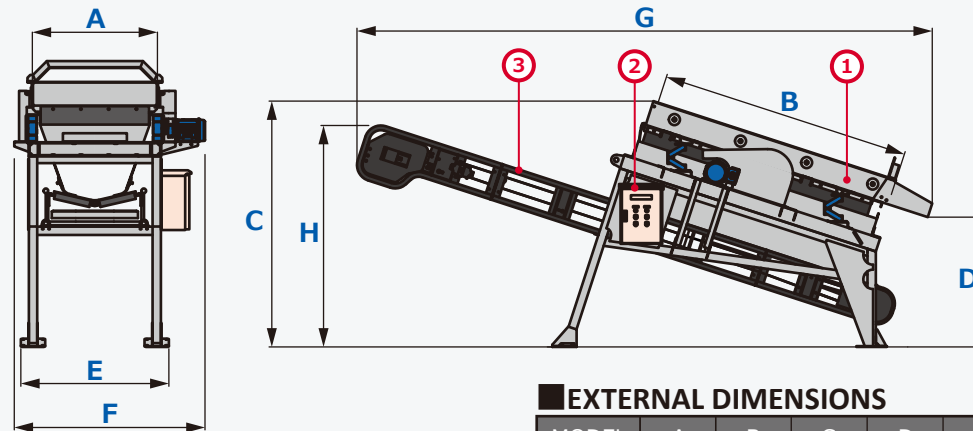
This unique mini screen consists of screen body, motor, discharge conveyor and control panel. The screen unit is mounted on castered support with rubber tire, minimizing the operation noise and vibration in various screening applications.



### Option



### OUTLINE PBS900



### COMPONENTS

- ① Screen
- ② Control Panel
- ③ Discharge Conveyor

### EXTERNAL DIMENSIONS

MODEL	A	B	C	D	E	F	G	H
PBS750	750	1500	1240	600	1200	1270	4130	1180
PBS900	900	1800	1770	940	1070	1390	4140	1600

### SPECIFICATIONS & CAPACITIES

MODEL	SCREEN		CONVEYOR	SCREEN SLOPE ANGLE	MAX. FEED SIZE (mm)	MOTOR POWER (kW)	CAPACITY (TPH)	APPROX. WEIGHT (TON)
	SCREEN SIZE W×L (mm)	MESH SIZE (mm)	PIPE FRAME TYPE (mm)					
PBS750	750×1500	40~5	350×4000	18°	80	1.4	3~35	0.40
PBS900	900×1800	40~5	600×4000	18°	100	2.25	5~50	0.75
※NES750	750×1500	40~5	-	18°	80	0.4	3~35	0.20
※NES900	900×1800	40~5	-	18°	100	0.75	5~50	0.30

※ Screen bare units (with base) of PBS750·900 are named NES750·900 models.

- Processing capacity depends on the quality of raw materials, grain size and input mass.
- This machine specifications and dimensions are subject to change without prior notice.

**! Safety Precautions:** In order to use this product correctly and safely, please read the technical Manual carefully before use.

(Note) Do not use reprint of drawings and information in this catalogue without prior consent of Nakayama.



HEAD OFFICE: Asahimachi, Takeo City, Saga Pref. 843-0001 JAPAN  
TEL: (81) 954-22-4171 FAX: (81) 954-23-0691  
E-MAIL: overseas@nakayamairon.co.jp

[www.ncjpn.com](http://www.ncjpn.com)

TOKYO OFFICE TEL: (81) 3-6662-4135  
OSAKA OFFICE TEL: (81) 72-672-4551  
SINGAPORE OFFICE TEL: (65) 6222-3538



ver.2.04\_20210707