

NEO CONE

CRUSHERS



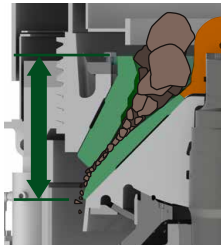
FEATURES

- Optimum crushing chamber design and larger crushing motion
- Hydraulic assist system for easy setting adjustment and quick tramp iron discharge
- Unique mantle/concave design for highly economical operation
- Simple yet compact and durable design with world-lowest (class) machine height
- Easy crushing operation management by touch panel with remote monitoring



NEO CONE

Nakayama NEO Cone Crusher is the Super-Performance Cone Crusher of New Generation featuring 2 times higher crushing capacity comparing with former types



HIGHER CRUSHING RATIO

Larger mantle motion up to its upper part with higher dead-center of motion enables Neo Cone Crusher to crush twice as large material as the conventional cone crusher of this size range can.



INSTANT TRAMP IRON RELEASE

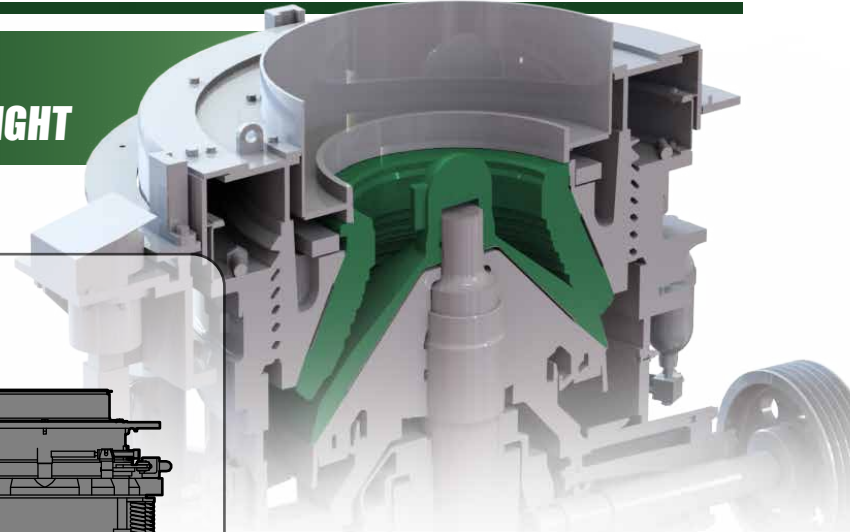
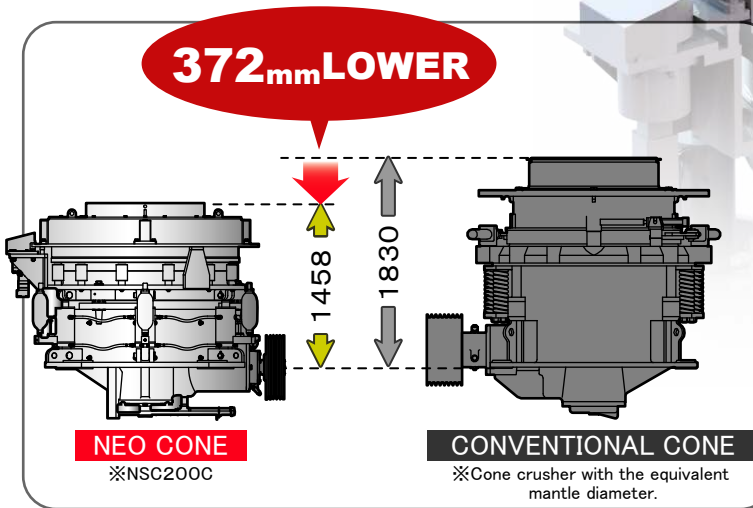
Hydraulic cylinders with N2 accumulators give easier passage of the tramp iron. In case of jamming, quick recovery is possible with the finger-tip control at the control panel.



EASY SETTING ADJUSTMENT

Hydraulic driven ring gear rotates the concave for the desired setting with finger-tip control at the control panel.

CONE CRUSHER WITH THE WORLD-LOWEST MACHINE HEIGHT



Making the best use of Symons Cone feature, Installation Height is the lowest among the cone crushers of the same size in the world. As the result, it is easy to install Neo Cone Crusher into your plant. And it is also easy to replace your existing crusher with Neo cone crusher.

Touch panel control (optional) is incorporated for setting adjustment, tramp iron discharge, etc. with the advanced hydraulic system. Spare parts replacement can be made easily in a short time. You can check the machine operating condition and record data on the control panel.



▲Operation Check on Touch-Panel



▲View from the monitor camera

SPECIFICATIONS & CAPACITIES

MODEL	MAX. FEED SIZE T×W×L (mm)	CRUSHING CAPACITY (TPH)	MOTOR POWER (kW)	WEIGHT (TON)
NSC100	65×95×130	75~130	90~110	6.8
NSC200	90×130×180	110~200	110~150	12.0
NSC300	100×140×200	190~300	190~220	18.7

- Processing capacity depends on the quality of raw materials, grain size and input mass.
- This machine specifications and dimensions are subject to change without prior notice.

⚠ Safety Precautions: In order to use this product correctly and safely, please read the technical Manual carefully before use.

(Note) Do not use reprint of drawings and information in this catalogue without prior consent of Nakayama.



HEAD OFFICE: 2246-1 Amagu, Asahi-machi, Takeo City, Saga Pref. 843-0001 JAPAN
 TEL: (81) 954-22-4171 FAX: (81) 954-23-0691
 E-MAIL: overseas@nakayamairon.co.jp

www.ncjpn.com

TOKYO OFFICE TEL: (81) 3-6662-4135
 OSAKA OFFICE TEL: (81) 72-672-4551
 SINGAPORE OFFICE TEL: (65) 6222-3538



ホームページ